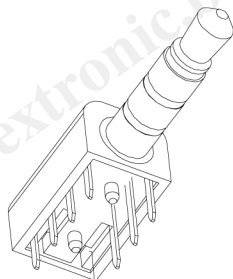
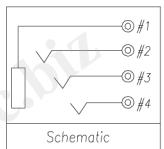
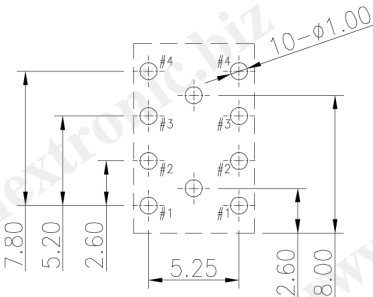
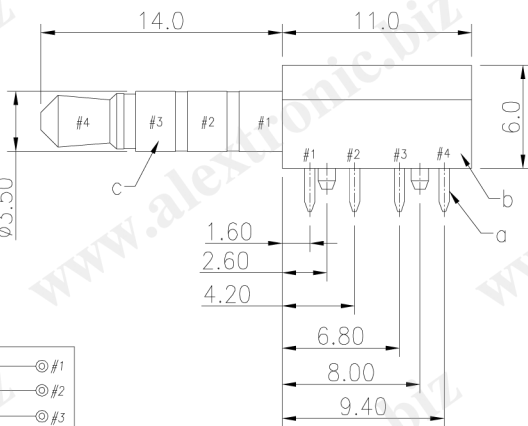
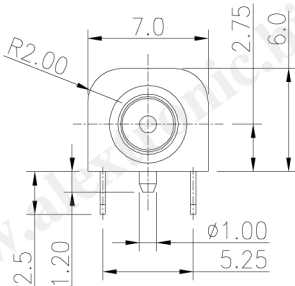


CATEGORY	DESCRIPTION	P/N #
CONNECTOR	3.5 Phone Jack PLUG DIP	AJ301R-10010-004M



REV.	ECN NO	DESCRIPTION	REVISED	DATE
R01		NEW RELEASE	XSY	2010.10.15

1. Voltage Rating: DC 30V MIN.
2. Current Rating: 1.0A MAX.
3. Contact resistance: 30mΩ MAX.
4. Insulation resistance: 100MΩ MIN. (DC500V)
5. Operation Temperature: -40°C~70°C
6. Withstand Voltage: 500VAC
7. Insertion force: 3kgf MAX.
8. Extraction force: 0.3kgf MIN
9. To conform with the "QC-03-045"&"RoHS DIRECTIVE"
10. Solder heat resistance: wave soldering 260° 5 Secs



Recommend PCB Layout  
(Jack Top View)  
Tolerance: ±0.05mm  
Recommend PCB Thickness: 1.2mm

NO.	PART NAME	Q'TY	MATERIAL	PLATING & COLOR	REMARK
c	PLUG	1	Insulation: Thermoplastic UL94V-0 Terminal: Copper Alloy, Ni Plated.	Black	
b	Housing	1	Thermoplastic UL94V-0	Black	
a	Terminal	1	Copper Alloy ,T=0.3mm	TIN Plating	

UNLESS OTHERWISE SPECIFIED TOLERANCES		SCALE: 3/1	UNIT: mm	DWG.NO:
DECIMALS:	ANGLES:	SIZE: A3	PAGE: 1 OF 1	REV: R01
X : ±0.5	X : ±2°			
X.X : ±0.3	X.X : ±1°	APPROVED BY	CHECKED BY	PREPARED BY
X.XX : ±0.2		XZQ	XZQ	XSY
<b>CUSTOMER COPY</b>				